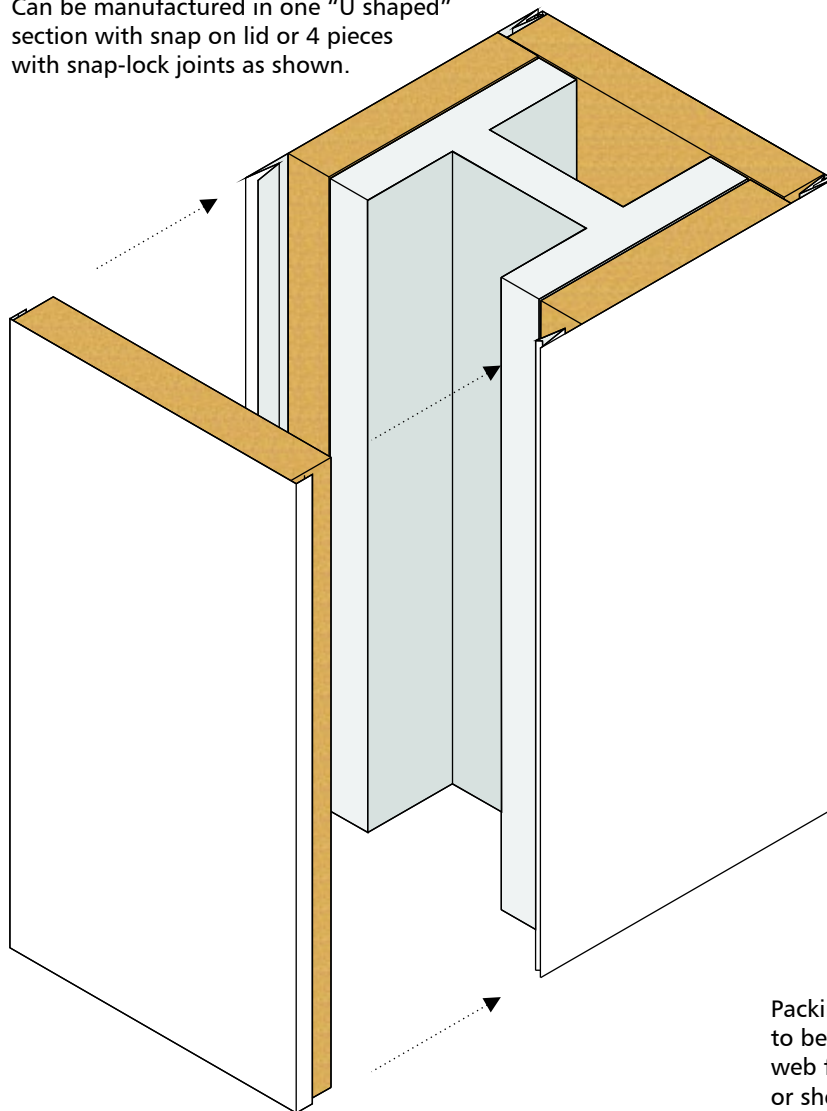


# Rockliner

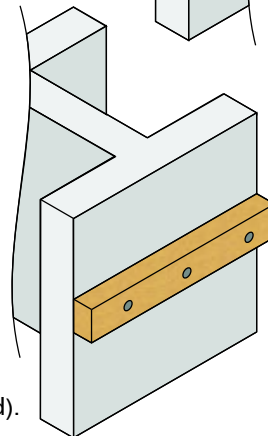
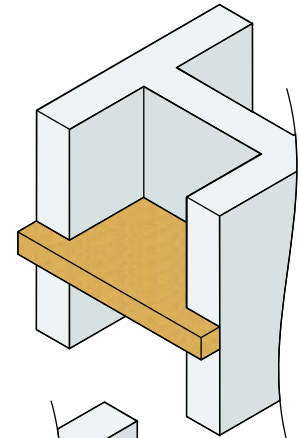
## Typical 4-sided snaplock casing



Can be manufactured in one "U shaped" section with snap on lid or 4 pieces with snap-lock joints as shown.



Typical snap-lock detailing.



Packing-out noggins to be wedged into web face of steel and/or shot-fired onto the flange face (if required).

### MATERIAL

**Metal:**  
Internal casings  
- 22swg steel.

**Finishes:**  
Unfinished, spangle galv,  
plastisol coated, PVF2  
coated, powder coated,  
polyester coated.  
Various colours available.

**Lining:**  
Spiralite to provide required  
fire rating.

**Fixings:**  
No fixings required.

The information contained in Cryotherm data sheets is believed correct at the time of publication. Whilst we will endeavour to keep our publications up to date, readers will appreciate that between publications there may be pertinent changes in the law, or other developments affecting the accuracy of the information provided.

Date of this revision: 24/06/15