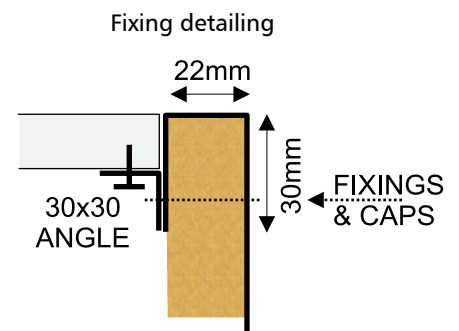
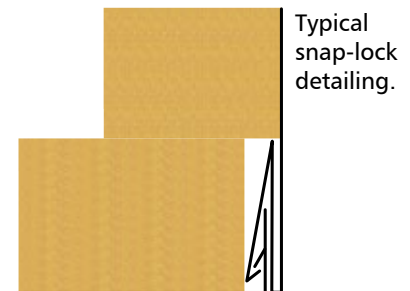
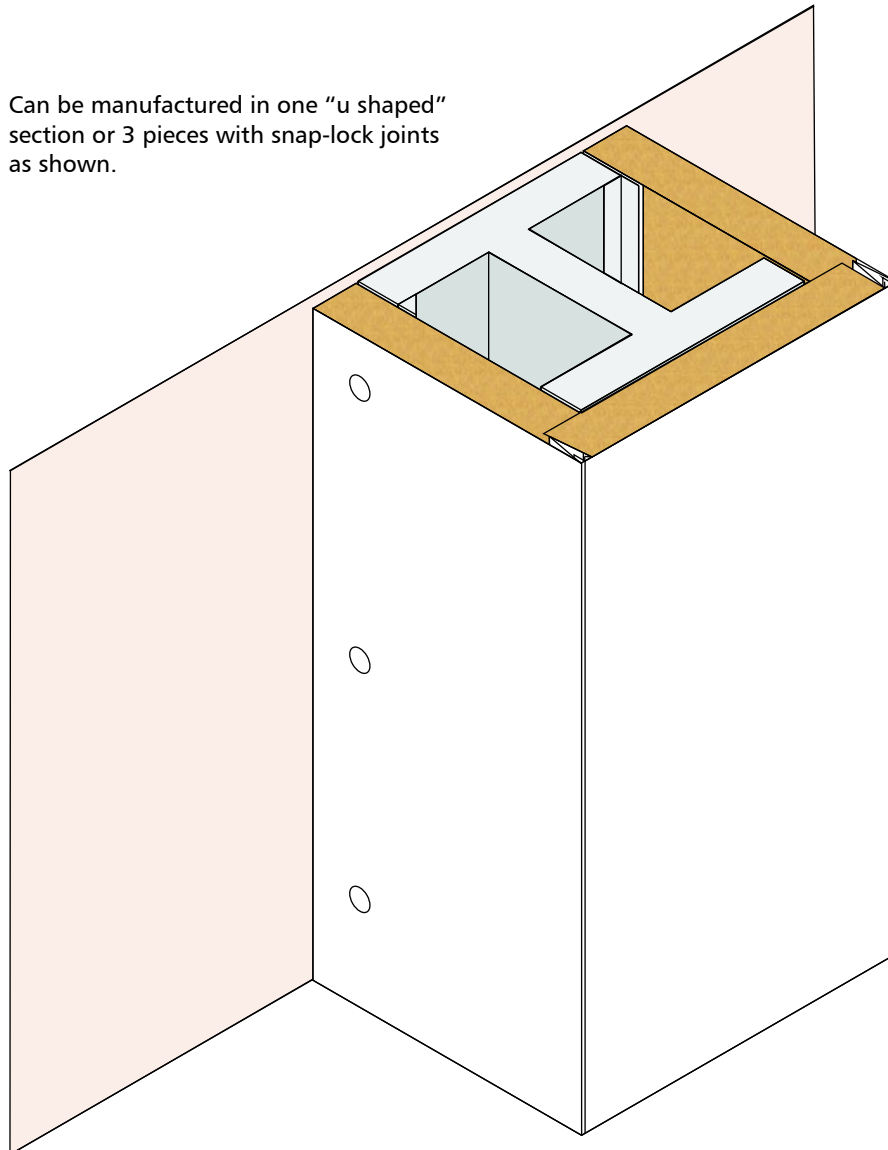


Rockliner

Typical 3-sided snaplock casing



Can be manufactured in one "u shaped" section or 3 pieces with snap-lock joints as shown.



MATERIAL

Metal:

Internal casings
- 22swg steel.

Finishes:

Unfinished, spangle galv,
plasticol coated, PVF2
coated, powder coated,
polyester coated.
Various colours available.

Lining:

Spiralite to provide required
fire rating.

Fixings:

No fixings supplied, fixings
at 300 ctrs.

The information contained in Cryotherm data sheets is believed correct at the time of publication. Whilst we will endeavour to keep our publications up to date, readers will appreciate that between publications there may be pertinent changes in the law, or other developments affecting the accuracy of the information provided.

Date of this revision: 24/06/15