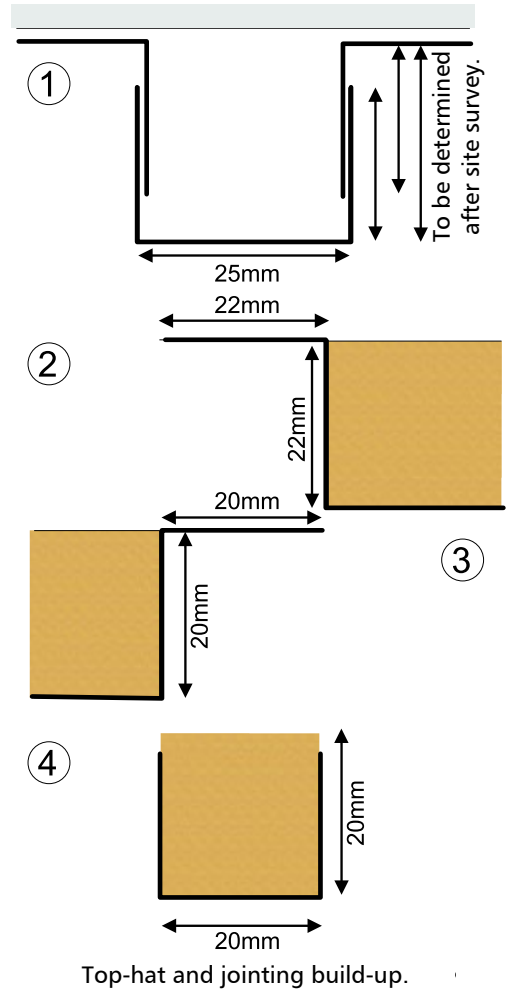
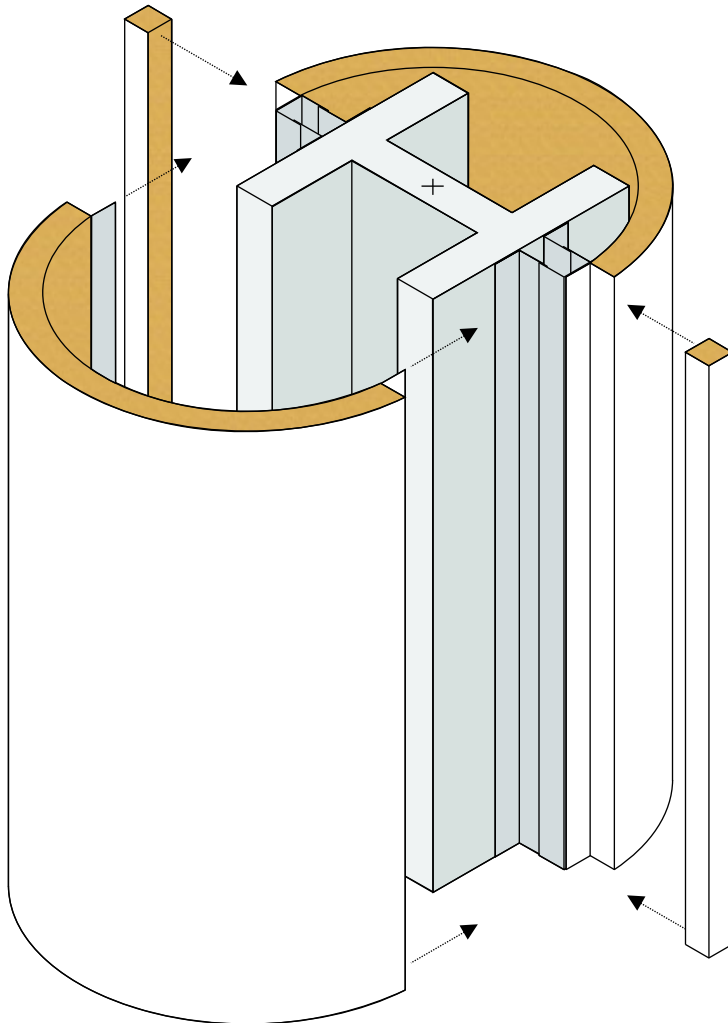


# Rockliner

## Typical circular casing



**MINIMUM EXTERNAL DIAMETER 450mm**

The above method of fixing can easily be adapted to suit a circular hollow section.

**MATERIAL**

**Metal:**

16Swg powder coated zintec

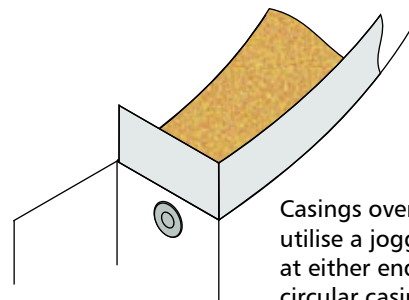
Possibilities for other materials/finishes available, please aks for more details

**Lining:**

Spiralite to provide required fire rating

**Fixings:**

All fixings at 300 ctrs



Casings over 3m in length will utilise a joggle fixed in place at either end of each semi circular casing or flat panel.

The information contained in Cryotherm data sheets is believed correct at the time of publication. Whilst we will endeavour to keep our publications up to date, readers will appreciate that between publications there may be pertinent changes in the law, or other developments affecting the accuracy of the information provided.

Date of this revision: 24/06/15