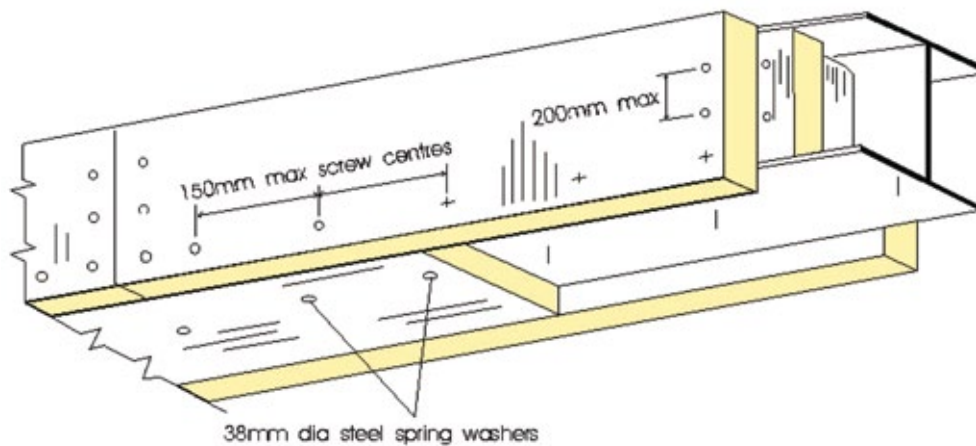
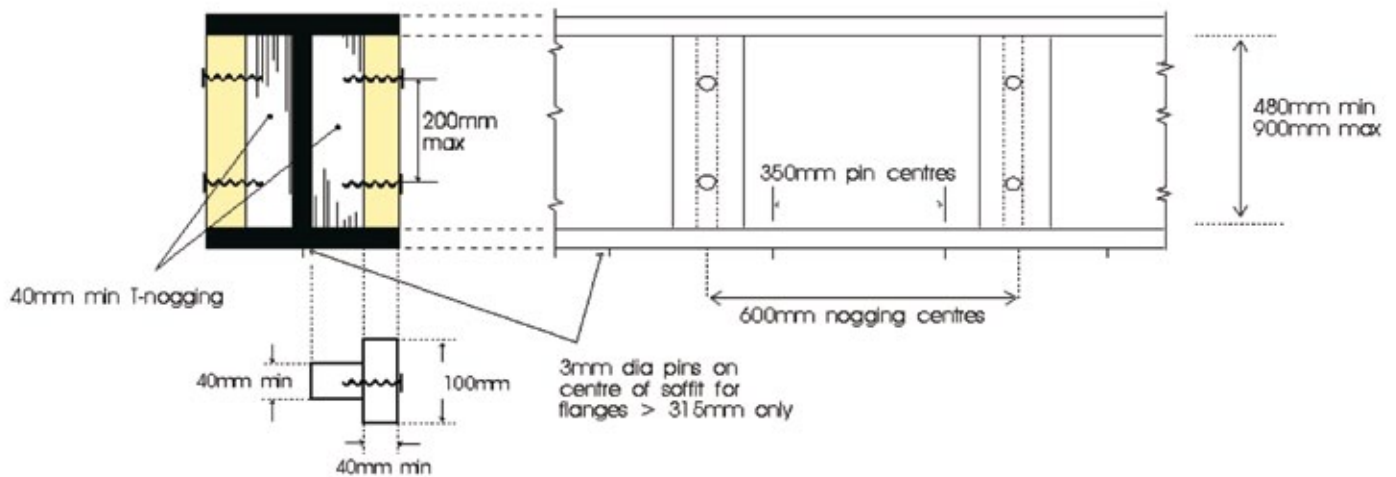
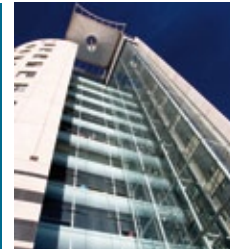


Spiralite

Fixing to deep web & wide flange beams



NOTES

1. All joints are square butt joints, no adhesive or filler is required.
2. All noggings are 100mm wide on face, with a nominal thickness as protection thickness (with a minimum 40mm).
3. Maximum web depth is 900mm (sections in excess of this should be profiled, see fixing detail ref 401).
- 4.i. for flanges in excess of 315mm, one row of pins, centrally positioned, at 350mm max centres are required.
 - ii. for flanges in excess of 600mm but < 900mm two rows of pins are required.
 - iii. for flanges in excess of 900mm but < 1200mm three rows of pins are required.
5. Optimum length of screw is protection thickness + nogging thickness - 5mm. Longer screws may be used.
6. Noggings to be placed on both ends of beam.

The information contained in Cryotherm data sheets is believed correct at the time of publication. Whilst we will endeavour to keep our publications up to date, readers will appreciate that between publications there may be pertinent changes in the law, or other developments affecting the accuracy of the information provided.

Date of this revision: 24/06/15